

## PSF

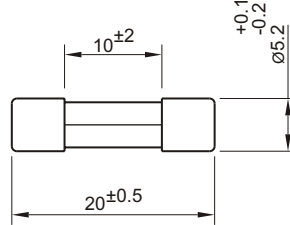
## 5 x 20mm Miniature Glass Fuse Links – Fast Acting

Applicable Standards	IEC 60127-2 Std. Sheet 2
Rated Voltage	250V
Breaking Capacity(AC)	35A or 10 In whichever is greater

### Time Current Characteristic

Rated Current (In)	Overload	Min	Max
All	2.1 In	–	30 min
100mA	2.75 In	10ms	500ms
>100mA		50ms	2s
100mA	4.00 In	3ms	100ms
>100mA		10ms	300ms
All	10.00 In	–	20ms


Characteristic Curves available on request



### Current Ratings

100mA	125mA	160mA	200mA
250mA	315mA	400mA	500mA
630mA	800mA	1A	1.25A
1.6A	2A	2.5A	3.15A
4A	5A	6.3A	8A*
10A*			

\* Not covered in IEC.

Approvals : LCSO, CACT, CDOT, 

### Ordering Part No.

PSF...mA (In ≤ 800mA) or  
PSF...A (In ≥ 1A)

## PSFC

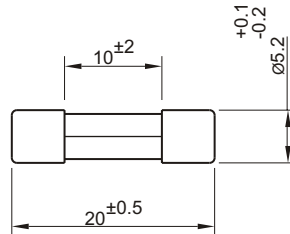
## 5 x 20mm Miniature Ceramic Fuse Links – Fast Acting

Applicable Standards	IEC 60127-2 Std. Sheet 1
Rated Voltage	250V
Breaking Capacity	1500 A when tested with AC

### Time Current Characteristic

Rated Current (In)	Overload	Min	Max
100mA – 6.3A	2.1 In	–	30 min
100mA – 3.15A	2.75 In	10ms	2s
4A – 6.3A		–	10ms
100mA – 6.3A	4.0 In	3ms	300ms
100mA – 6.3A	10.0 In	–	20ms

Characteristic Curves available on request



### Current Ratings

100mA	125mA	160mA	200mA
250mA	315mA	400mA	500mA
630mA	800mA	1A	1.25A
1.6A	2A	2.5A	3.15A
4A	5A	6.3A	

Approvals : 

### Ordering Part No.

PSFC...mA (In ≤ 800mA) or  
PSFC...A (In ≥ 1A)

## PST

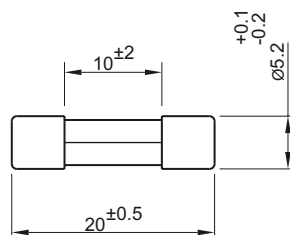
## 5 x 20mm Miniature Glass Fuse Links – Slow Blow

Applicable Standards	IEC 60127-2 Std. Sheet 3
Rated Voltage	250V
Breaking Capacity(AC)	35A or 10 In whichever is greater

### Time Current Characteristic

Rated Current (In)	Overload	Min	Max
100mA	2.1 In	–	2 min
>100mA		–	2 min
100mA	2.75 In	200ms	10s
>100mA		600ms	10s
100mA	4.0 In	40ms	3s
>100mA		150ms	3s
100mA	10.0 In	10ms	300ms
>100mA		20ms	300ms

Characteristic Curves available on request



### Current Ratings

100mA	125mA	160mA	200mA
250mA	315mA	400mA	500mA
630mA	800mA	1A	1.25A
1.6A	2A	2.5A	3.15A
4A	5A	6.3A	8A*
10A*			

\* Not covered in IEC.

Approvals : LCSO, CACT, CDOT, 

### Ordering Part No.

PST...mA (In ≤ 800mA) or  
PST...A (In ≥ 1A)

## PSTC

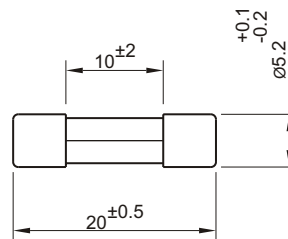
## 5 x 20mm Miniature Ceramic Fuse Links – Slow Blow

Applicable Standards	IEC 60127-2 Std. Sheet 5
Rated Voltage	250V
Breaking Capacity	1500A when tested with AC

### Time Current Characteristic

Rated Current (In)	Overload	Min	Max
1A – 6.3A	2.1 In	–	30min
1A – 6.3A	2.75 In	1s	80s
1A – 3.15A	4.0 In	95ms	5s
4A – 6.3A		150ms	5s
1A – 3.15A	10.0 In	10ms	100ms
4A – 6.3A		20ms	100ms

Characteristic Curves available on request



### Current Ratings

1A	1.25A	1.6A	2A
2.5A	3.15A	4A	5A
6.3A			

Approvals: 

### Ordering Part No.

PSTC...A

## PAF

## 6.35 x 32mm Miniature Glass Fuse Links – Fast Acting

Applicable Standards	IEC 60127-2 Std. Sheet 4
Rated Voltage	250V
Breaking Capacity (AC)	35A or 10 In whichever is greater

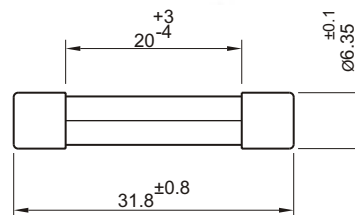
### Time Current Characteristic

Rated Current (In)	Overload	Min	Max
All	2.0 In	–	20s
100mA	2.75 In	2ms	200ms
>100mA		20ms	1500ms
100mA	4.0 In	1ms	30ms
>100mA		8ms	400ms
100mA	10.0 In	–	5ms
>100mA			80ms

Characteristic Curves available on request

\*150V rated voltage according to standard.

\*\* 60V rated voltage according to standard.



### Current Ratings

100mA	125mA	160mA	200mA
250mA	315mA	400mA	500mA
630mA	800mA	1A	1.25A
1.6A	2A	2.5A*	3.15A*
4A*	5A**	6.3A**	8A**
10A**			

### Ordering Part No.

PAF...mA (In ≤ 800mA) or  
PAF...A (In ≥ 1A)

## PAFC

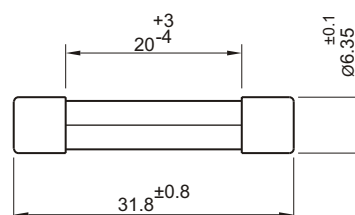
## 6.35 x 32mm Miniature Ceramic Fuse Links – Fast Acting

Rated Voltage	250V
Breaking Capacity	1500A when tested with AC

### Time Current Characteristic

Rated Current (In)	Overload	Min	Max
100mA – 10A	2.1 In	–	60 min
100mA – 4A	2.75 In	70ms	5s
5A – 10A	–	150ms	2s
100mA – 4A	4.0 In	10ms	150ms
5A – 10A		25ms	200ms
100mA – 4A	10.0 In	–	10ms
5A – 10A			20ms

Characteristic Curves available on request



### Current Ratings

100mA	125mA	160mA	200mA
250mA	315mA	400mA	500mA
630mA	800mA	1A	1.25A
1.6A	2A	2.5A	3.15A
4A	5A	6.3A	8A
10A			

### Ordering Part No.

PAFC...mA (In ≤ 800mA) or  
PAFC...A (In ≥ 1A)

## PAT

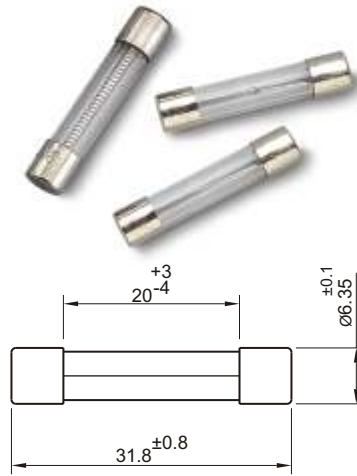
## 6.35 x 32mm Miniature Glass Fuse Links – Slow Blow

Rated Voltage	250V
Breaking Capacity	35A AC or 10 In whichever is greater

### Time Current Characteristic

Rated Current (In)	Overload	Min	Max
200mA – 10A	2.1 In	–	120s
200mA – 10A	2.75 In	200ms	10s
200mA – 10A	4.0 In	100ms	3s
200mA – 10A	10.0 In	20ms	300ms

Characteristic Curves available on request



### Current Ratings

200mA	250mA	315mA	400mA
510mA	630mA	800mA	1A
1.25A	1.6A	2A	2.5A
3.15A	4A	5A	6.3A
8A	10A		

### Ordering Part No.

PAT...mA (In ≤ 800mA) or  
PAT...A (In ≥ 1A)

## PATC

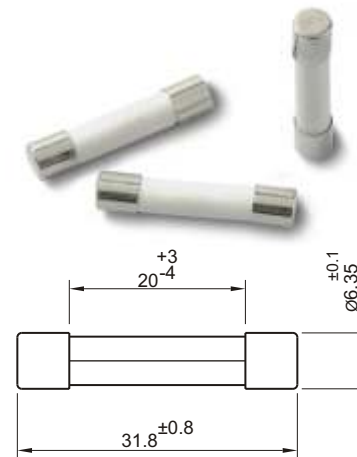
## 6.35 x 32 mm Miniature Ceramic Fuse Links – Slow Blow

Rated Voltage	250V
Breaking Capacity	1500 A when tested with AC

### Time Current Characteristic

Rated Current (In)	Overload	Min	Max
100mA – 10A	2.1 In	–	120s
100mA – 10A	2.75 In	200ms	10s
100mA – 10A	4.0 In	100ms	3s
100mA – 10A	10.0 In	20ms	300ms

Characteristic Curves available on request



### Current Ratings

100mA	125mA	160mA	200mA
250mA	315mA	400mA	500mA
630mA	800mA	1A	1.25A
1.6A	2A	2.5A	3.15A
4A	5A	6.3A	8A
10A			

### Ordering Part No.

PATC...mA (In ≤ 800mA) or  
PATC...A (In ≥ 1A)

## PPF / PPFC

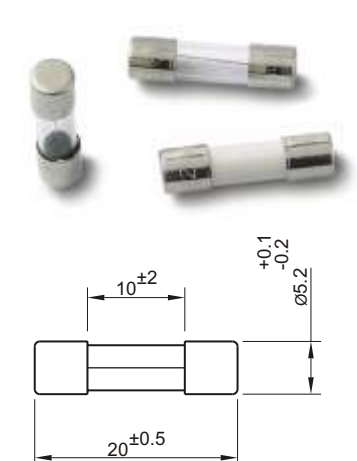
## 5 x 20 mm Miniature Glass/Ceramic Fuse Links – Fast Acting [UL Standards]

Applicable Standards	UL248-1 & 14 (198G)
Rated Voltage	250V
Interrupting Rating (AC)	≤1A                      35A 1.125A–3.5A      100A 4A–6.25A          200A

### Time Current Characteristic

Rated Current (In)	Overload	Min	Max
100mA – 6.25A	1.1 In	4hrs	–
100mA – 6.25A	1.35 In	–	60 min
100mA – 6.25A	2.0 In	–	5s

Characteristic Curves available on request



### Current Ratings

100mA	150mA	200mA	300mA
400mA	500mA	600mA	800mA
1A	1.125A	1.25A	1.4A
1.6A	1.8A	2A	2.25A
2.5A	2.8A	3A	3.2A
3.5A	4A	4.5A	5A
5.6A	6A	6.25A	

### Ordering Part No.

PPF...mA (In ≤ 800mA) or  
PPF...A (In ≥ 1A) for Glass Fuses  
PPFC...mA (In ≤ 800mA) or  
PPFC...A (In ≥ 1A) for Ceramic Fuses

## PPT / PPTC

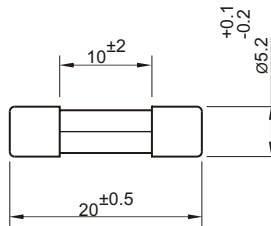
### 5 x 20 mm Miniature Glass/Ceramic Fuse Links – Slow Blow [UL Standards]

Applicable Standards	UL248-1 & 14 (198G)	
Rated Voltage	250V	
Interrupting Rating (AC)	≤1A	35A
	1.125A–3.5A	100A
	4A–6.25A	200A

#### Time Current Characteristic

Rated Current (In)	Overload	Min	Max
100mA – 6.25A	1.1 In	4hrs	–
100mA – 6.25A	1.35 In	–	60 min
100mA – 6.25A	2.0 In	5s	2min

Characteristic Curves available on request



#### Current Ratings

100mA	150mA	200mA	300mA
400mA	500mA	600mA	800mA
1A	1.125A	1.25A	1.4A
1.6A	1.8A	2A	2.25A
2.5A	2.8A	3A	3.2A
3.5A	4A	4.5A	5A
5.6A	6A	6.25A	

#### Ordering Part No.

PPT...mA (In ≤ 800mA) or  
PPT...A (In ≥ 1A) for Glass Fuses  
PPTC...mA (In ≤ 800mA) or  
PPTC...A (In ≥ 1A) for Ceramic Fuses

## PQF / PQFC

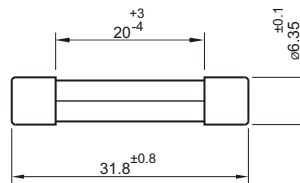
### 6.35 x 32 mm Miniature Glass/Ceramic Fuse Links – Fast Acting [UL Standards]

Applicable Standards	UL248-1 & 14 (198G)	
Rated Voltage	250V	
Interrupting Rating (AC)	≤1A	35A
	1.125A–3.5A	100A
	4A–10A	200A

#### Time Current Characteristic

Rated Current (In)	Overload	Min	Max
100mA – 10A	1.1 In	4hrs	–
100mA – 10A	1.35 In	–	60 min
100mA – 10A	2.0 In	–	5s

Characteristic Curves available on request



#### Current Ratings

100mA	150mA	200mA	300mA
400mA	500mA	600mA	800mA
1A	1.125A	1.25A	1.4A
1.6A	1.8A	2A	2.25A
2.5A	2.8A	3A	3.2A
3.5A	4A	4.5A	5A
5.6A	6A	6.25A	7A
8A	9A	10A	

#### Ordering Part No.

PQF...mA (In ≤ 800mA) or  
PQF...A (In ≥ 1A) For Glass Fuses  
PQFC...mA (In ≤ 800mA) or  
PQFC...A (In ≥ 1A) For Ceramic Fuses

## PQT / PQTC

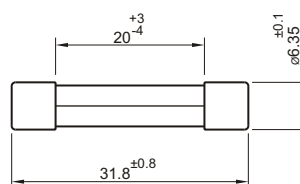
### 6.35 x 32 mm Miniature Glass/Ceramic Fuse Links – Slow Blow [UL Standards]

Applicable Standards	UL248-1 & 14 (198G)	
Rated Voltage	250V	
Interrupting Rating (AC)	≤1A	35A
	1.125A–3.5A	100A
	4A–10A	200A

#### Time Current Characteristic

Rated Current (In)	Overload	Min	Max
100mA – 10A	1.1 In	4hrs	–
100mA – 10A	1.35 In	–	60 min
100mA – 3A	2.0 In	5s	2 min
3.2A – 10A		12s	2min

Characteristic Curves available on request



#### Current Ratings

100mA	150mA	200mA	300mA
400mA	500mA	600mA	800mA
1A	1.125A	1.25A	1.4A
1.6A	1.8A	2A	2.25A
2.5A	2.8A	3A	3.2A
3.5A	4A	4.5A	5A
5.6A	6A	6.25A	7A
8A	9A	10A	

#### Ordering Part No.

PQT...mA (In ≤ 800mA) or  
PQT...A (In ≥ 1A) For Glass Fuses  
PQTC...mA (In ≤ 800mA) or  
PQTC...A (In ≥ 1A) For Ceramic Fuses

## Cartridge Fuse Links With Plug Leads

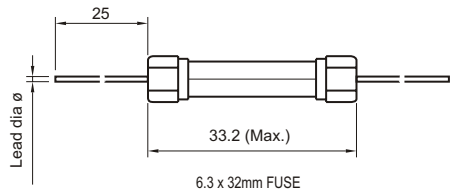
Lead diameter	0.6 or 0.8 mm
Lead length	25 mm minimum
Cap	Brass nickel plated
Lead wire	Copper tinned

Cartridge Fuse -links of the following series are available with plugged leads.

PSF, PST, PAF, PAT, PSFC, PSTC, PAFC, PATC, PPF, PPFC, PPT, PPTC, PQF, PQFC, PQT & PQTC



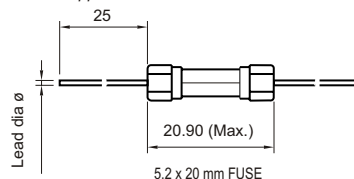
Applicable specification as per data sheet



### Ordering Part No.

Fuse Series	With 0.6ø Plug Lead	With 0.8ø Plug Lead
PSF/PSFC	PSF...A6P/PSFC ... A6P	PSF...A8P/PSFC ... A8P
PST/PSTC	PST...A6P/PSTC ... A6P	PST...A8P/PSTC ... A8P
PAT / PATC	PAT...A6P/PATC ... A6P	PAT...A8P/PATC ... A8P
PAF / PAFC	PAF...A6P/PAFC ... A6P	PAF...A8P/PAFC ... A8P
PPF/PPFC	PPF...A6P/PPFC ... A6P	PPF...A8P/PPFC ... A8P
PPT/PPTC	PPT...A6P/PPTC ... A6P	PPT...A8P/PPTC ... A8P
PQF/PQFC	PQF...A6P/PQFC ... A6P	PQF...A8P/PQFC ... A8P
PQT/PQTC	PQT...A6P/PQTC ... A6P	PQT...A8P/PQTC ... A8P

Fuses can also be supplied with soldered leads. Please contact factory for details



## PHF

### Features

- The most safe and economical protection device for the high voltage circuit of microwave oven
- Self inductance of spring-element of the fuse notably diminishes the high frequency noise of microwave oven
- Minimized fuse dimension which meets the clearance or creepage regulation of IEC spec

Rated Voltage 5 KV AC

### Time Current Characteristic

Rated Current (In)	Overload	Min	Max
500mA – 1A	1.5 In	–	5 min
500mA – 1A	2In	–	20s
500mA – 1A	2.75 In	20ms	1500ms
500mA – 1A	4 In	8ms	400ms
500mA – 1A	10 In	–	80ms

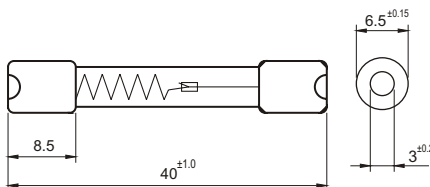
## High Voltage Fuses (for Microwave Oven)

### Current Ratings

500mA	550mA	600mA	700mA
750mA	800mA	1A	

### Ordering Part No.

PHF...mA (In ≤ 800mA) or  
PHF...A (In ≥ 1A)



## PRTL

### ø 8.5 mm Sub-Miniature Low Breaking Capacity Round Fuse Links, Radial Led – Slow Blow

Applicable Standards	IEC 60127-3 Std. Sheet 4
Rated Voltage	250V
Breaking Capacity	35A AC or 10 In whichever is greater

- Bulk packing or tape packing is available

### Time Current Characteristic

Rated Current (In)	Overload	Min	Max
100mA – 4A	1.5 In	1hr	
100mA – 4A	2.1 In	–	2 min
100mA – 4A	2.75 In	400ms	10s
100mA – 4A	4 In	150ms	3s
100mA – 4A	10 In	20ms	150ms

Characteristic Curves available on request

### Current Ratings

100mA	125mA	160mA	200mA
250mA	315mA	400mA	500mA
630mA	800mA	1A	1.25A
1.6A	2A	2.5A	3.15A
4A			

### Ordering Part No.

for bulk packing :  
PRTL...mA (In ≤ 800mA) or  
PRTL...A (In ≥ 1A)

for tape packing :  
PRTL...mA (In ≤ 800mA) or  
PRTL...A (In ≥ 1A)

