

## PRTH $\varnothing$ 8.5 mm Sub-Miniature High Breaking Capacity Round Fuse Links, Radial Leaded – Slow Blow

Applicable Standards IEC 60127-3  
 Rated Voltage 250V  
 Breaking Capacity 250A, 250V AC  
 • Bulk packing or tape packing is available

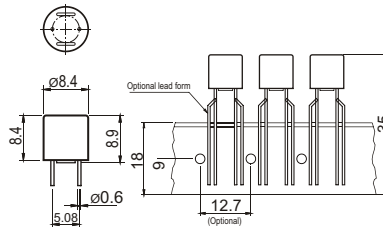


### Current Ratings

100mA	125mA	160mA	200mA
250mA	315mA	400mA	500mA
630mA	800mA	1A	1.25A
1.6A	2A	2.5A	3.15A
			4A

### Time Current Characteristic

Rated Current (In)	Overload	Min	Max
100mA – 4A	1.5 In	1hr	
100mA – 4A	2.1 In	–	2 min
100mA – 4A	2.75 In	400ms	10s
100mA – 4A	4 In	150ms	3s
100mA – 4A	10 In	20ms	150ms



### Ordering Part No.

for bulk packing :  
 PRTHB...mA (In ≤ 800mA) or  
 PRTHB...A (In ≥ 1A)

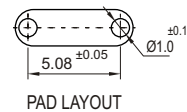
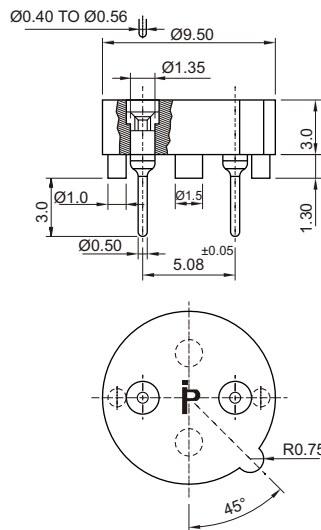
for tape packing :  
 PRTHT...mA (In ≤ 800mA) or  
 PRTHT...A (In ≥ 1A)

Characteristic Curves available on request

## P8050R

## PC Mount Holder for Sub-Miniature Fuses

Ordering P/N P805R-02-11-1



Body Polyester UL 94V-0  
 Contact (Outer Sleeve) Brass, Tin Plated  
 Inner Clip BeCu, Gold Plated

### Electrical Parameters

Rating	6.3A 250V
Insulation Resistance	≥ 5000M Ω
Contact Resistance	< 5m Ω
Breaking Voltage	600V AC

## PSM 12

## (1206) Moulded Surface Mount Fuses

### Appearance

- Super micro size 1206, low profile (1.6Wx1.0Hx3.2L mm)
- No possibility of continuity fail during solder reflow operation
- No breaking, no encapsulation peeling, anti-vibration, higher interrupting rating
- 400°C resistive plastic body
- Super higher I-t characteristics. Best for battery packs
- Taped and reeled for SMD process



### Current Ratings

500mA	630mA	750mA	1A
1.5A	2A	2.5A	3A
3.5A	4A	5A	6.3A
	7A		

### Ordering Part No.

PSM12...mA (In ≤ 750mA) or  
 PSM12...A (In ≥ 1A)

Interrupting Capacity 1A & Less 50A AC / DC  
 1.5A -7A 35A AC / DC  
 Rated Voltage 63V 0.5A-1A  
 32V 1.5A-7A

### Time Current Characteristic

Rated Current (In)	Overload	Min	Max
500mA – 7A	1In	4hrs	–
500mA – 7A	2In	–	60s
500mA – 7A	3In	–	3s

